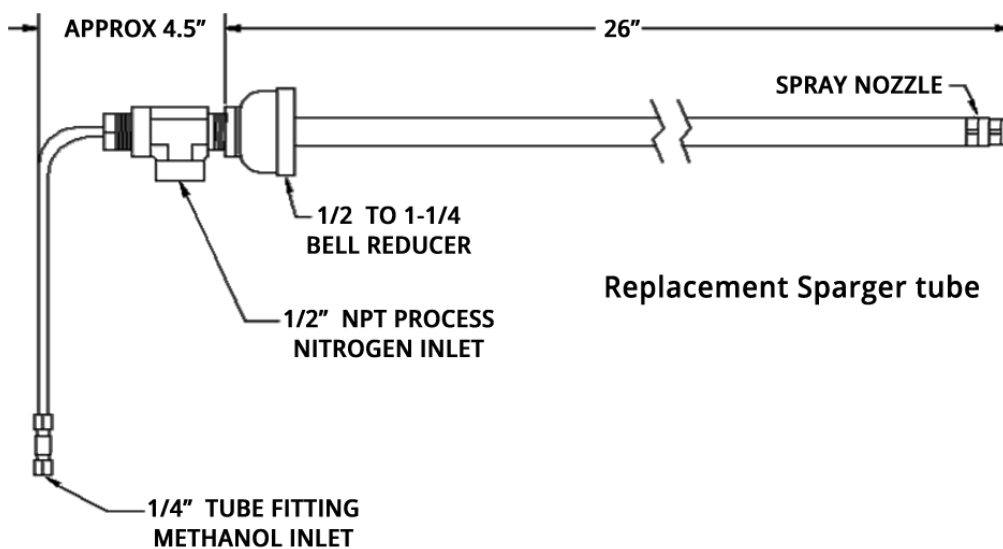


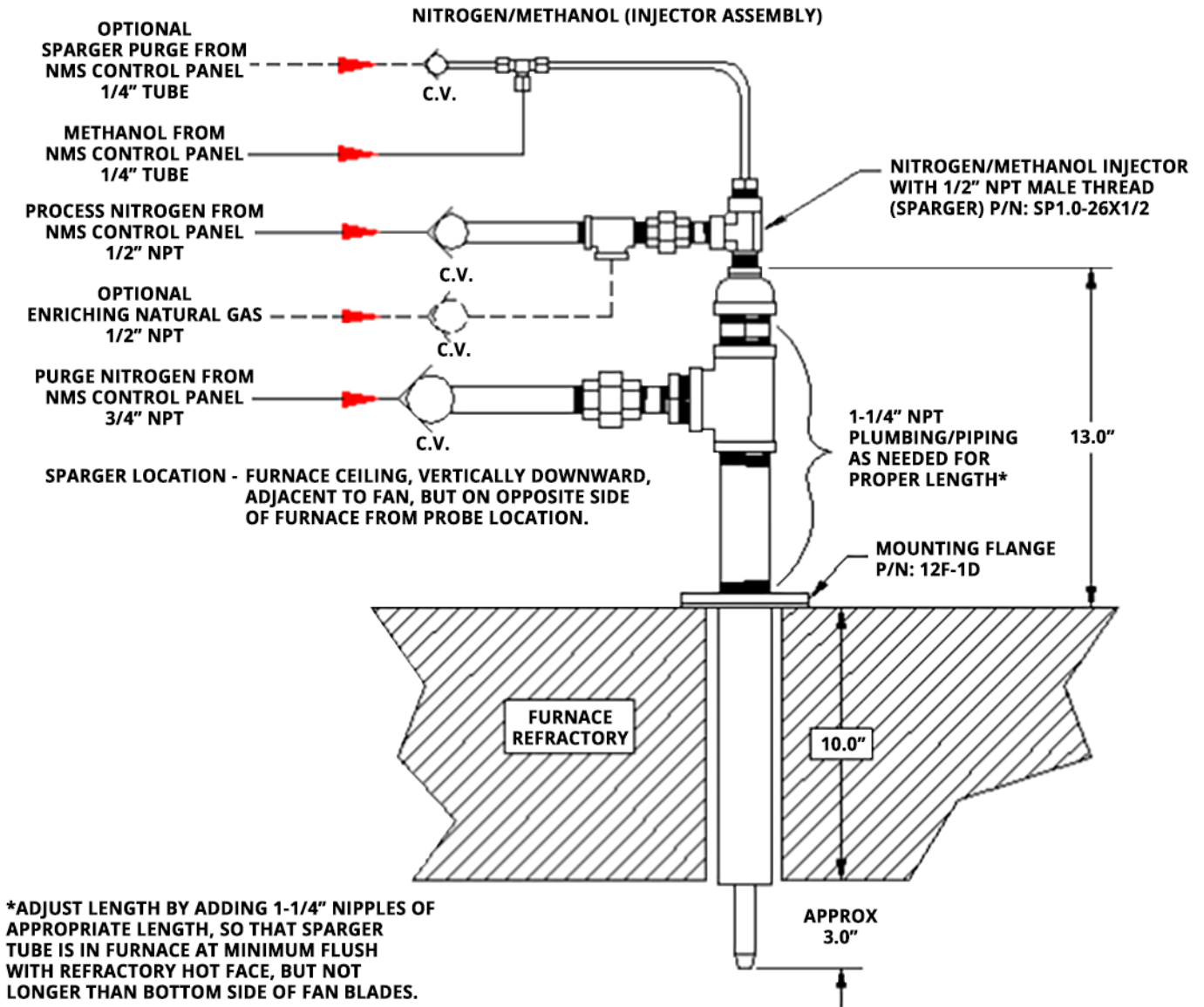
FEATURES

Fine Methanol Atomization and RA 330 Alloy pipe construction to resist carburization. This translates to better results and longer service life.

- ◇ Unique spray nozzle construction for improved methanol distribution.
- ◇ Fine atomization means more efficient cracking of methanol, resulting in more uniform furnace atmosphere.
- ◇ Replaceable Spray nozzle.
- ◇ Optional Sparger purge inlet.
- ◇ Nitrogen is mixed with methanol prior to entering the furnace.



PLUMBING ASSEMBLY



USA
+1 414 462 8200
sales.na@group-upc.com

CANADA
+1 514 335 7191
sales.na@group-upc.com

CHINA
+86 21 3463 0376
sales@mmichina.cn

FRANCE
+33 3 81 48 37 37
sales.fr@group-upc.com

GERMANY
+49 7161 94888 0
sales.de@group-upc.com

POLAND
+48 32 296 66 00
sales.pl@group-upc.com