

Vacuum-Tight Heat Treatment Sensor



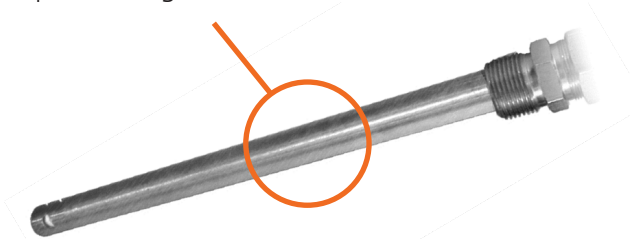
APPLICATIONS

- Annealing and Bright Annealing atmospheres
- Capable of measurement and control of heat treating atmospheres, such as hydrogen, that require vacuum tight construction

CONSTRUCTION

- UPC TuffAlloy™ sheath material
- Thermal shock resistant, solid zirconia electrolyte
- Special electrode design accommodates annealing temperatures
- Vacuum-tight sealed head
- Equipped with stainless steel connection fittings

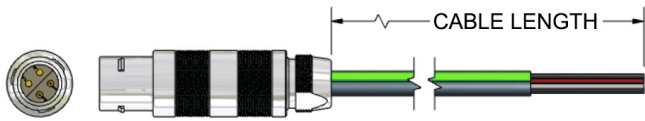
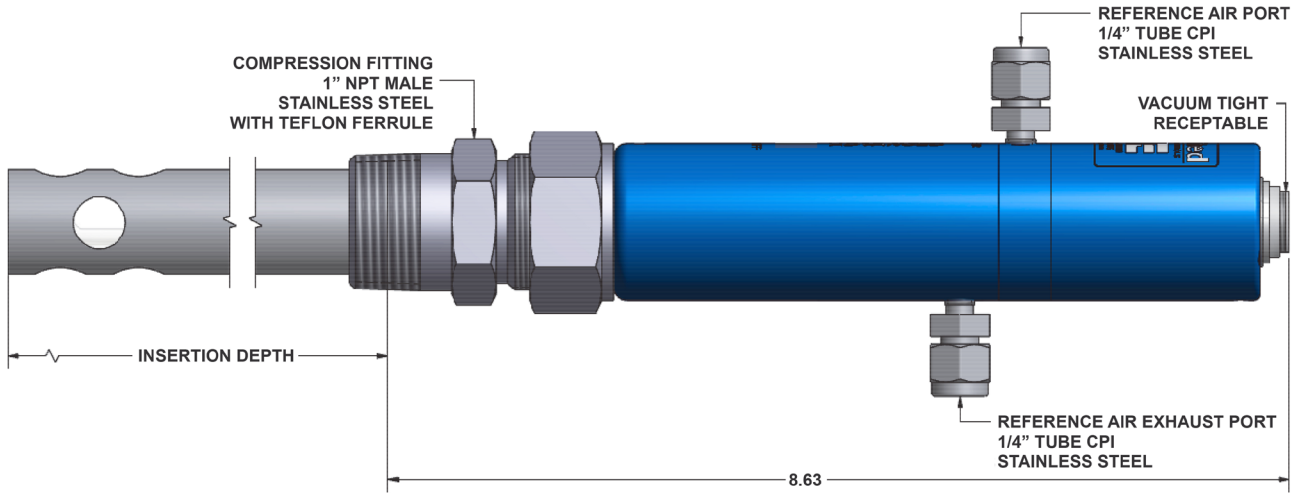
TuffAlloy™ sheath resists corrosion and lasts up to 3x longer than RA330



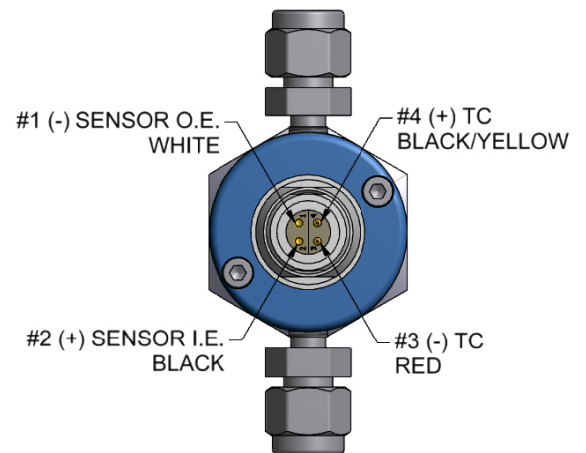
TSR electrolyte for thermal shock resistance allowing quick (<5 minute) installation and aggressive burn-off flow

Probe Part #	AA	8	__	-	__	-	5
Sheath Material							
TuffAlloy™	AA						
Inner Electrode							
High Temperature - Sealed		8					
Insertion Length							
17" / 431.8 mm						17	
20" / 508 mm						20	
26" / 660.4 mm						26	
32" / 812.8 mm						32	
38" / 965.2 mm						38	
T/C Type							
NO Thermocouple							X
Thermocouple Type B							B
Thermocouple Type K							K
Thermocouple Type R							R
Thermocouple Type S							S
Modification							
3/4" Sch 40 Pipe							5

Vacuum-Tight Heat Treatment Sensor



- Cable Assembly Sold Separately



Cable Assembly Part #: CA6 - _ -	
Length	
1' / 30.5 cm	01
10' / 304.8 cm	10
20' / 609.6 cm	20
50' / 1524 cm	50
T/C Type	
Thermocouple Type K	K
Thermocouple Type R & S	RS
No Thermocouple	X



Scan to Register

Probes are covered by Usage Warranty as indicated from date of installation. Usage warranty is not effective until your probe is registered, and only if installation is made according to instructions supplied.

USA
+1 414 462 8200
sales.na@group-upc.com

CANADA
+1 514 335 7191
sales.na@group-upc.com

CHINA
+86 21 3463 0376
sales@mmichina.cn

FRANCE
+33 3 81 48 37 37
sales.fr@group-upc.com

GERMANY
+49 7161 94888 0
sales.de@group-upc.com

POLAND
+48 32 296 66 00
sales.pl@group-upc.com