

## Vacuum-Tight Oxygen Sensor for Nitrocarburizing Processes



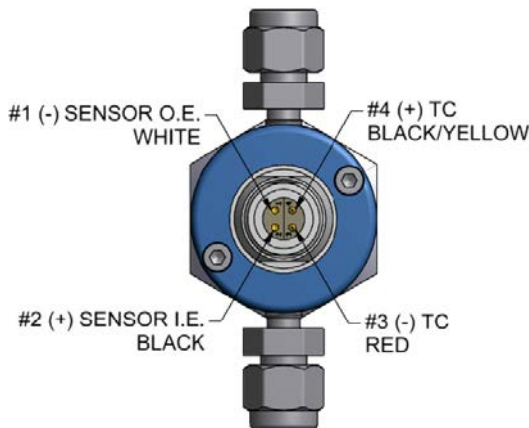
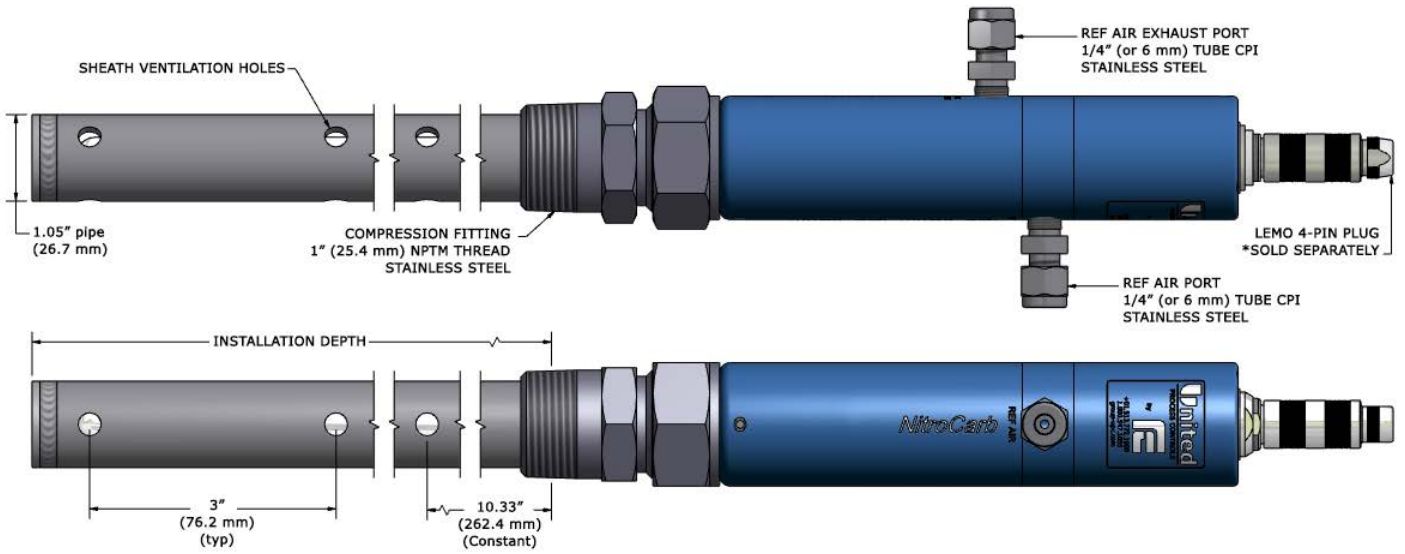
### CONSTRUCTION

- Ventilated sheath
- Solid Zirconia electrolyte
- Vacuum-tight, sealed head
- High temperature alloy sheath
- All stainless steel connection fittings

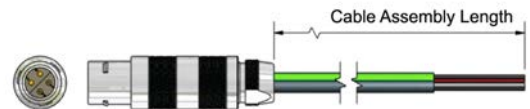
### APPLICATIONS

- Capable of measurement and control of nitrocarburizing atmospheres when used in conjunction with H2Smart™ hydrogen analyzer
- Measurement and control of pre- and post-oxidation processes

# NitroCarb™ VACUUM-TIGHT OXYGEN SENSOR



**!** A cable assembly is required for first-time installations. To order, please consult the table below.



ORDER CODE	AA6	-	-
<b>LENGTH</b>			
20" / 50.8 cm	20		
26" / 66.0 cm	26		
32" / 81.3 cm	32		
38" / 96.5 cm	38		
<b>T/C TYPE</b>			
Thermocouple Type K		K	
Thermocouple Type R		R	
Thermocouple Type S		S	
No Thermocouple		X	
<b>CONNECTION FITTINGS</b>			
6 mm Tube, CPI Ferrules			8
1/4" Tube, CPI Ferrules			9

ORDER CODE	CA6	-	-
<b>LENGTH</b>			
1' / 30.5 cm	01		
10' / 304.8 cm	10		
20' / 609.6 cm	20		
50' / 1524.0 cm	50		
<b>T/C TYPE</b>			
Thermocouple Type K		K	
Thermocouple Type R & S		RS	
No Thermocouple		X	

USA | CANADA | CHINA  
 +1 414 462 8200 | +1 514 335 7191 | +86 21 3463 0376  
 sales.na@group-upc.com | sales.na@group-upc.com | sales@mmichina.cn

FRANCE  
 +33 3 81 48 37 37  
 sales.fr@group-upc.com

GERMANY  
 +49 7161 94888 0  
 sales.de@group-upc.com

POLAND  
 +48 32 296 66 00  
 sales.pl@group-upc.com