

Vacuum-Tight Oxygen Sensor for Nitrocarburizing Processes



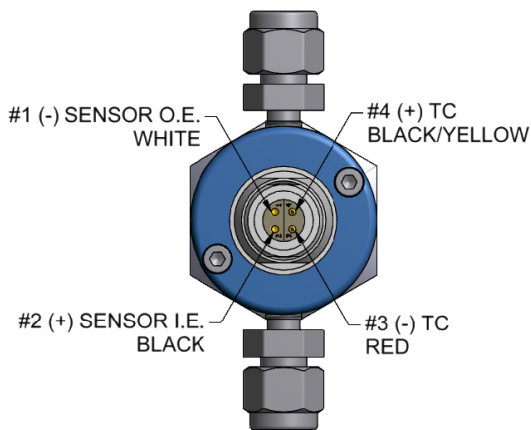
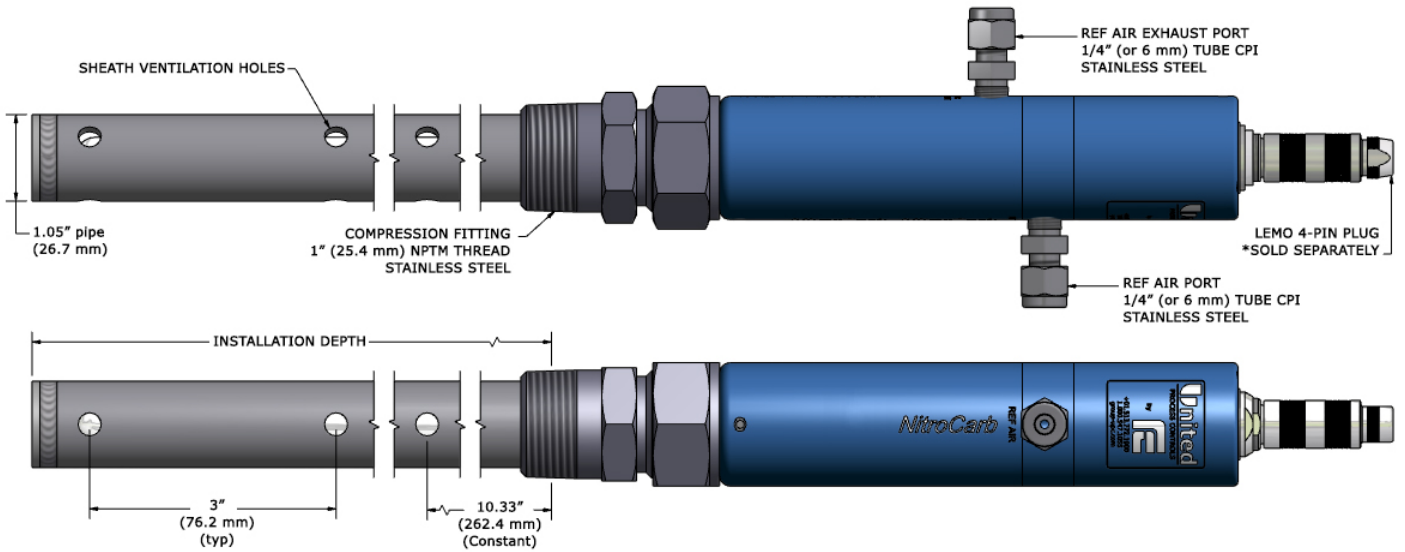
CONSTRUCTION

- Ventilated sheath
- Solid Zirconia electrolyte
- Vacuum-tight, sealed head
- High temperature alloy sheath
- All stainless steel connection fittings

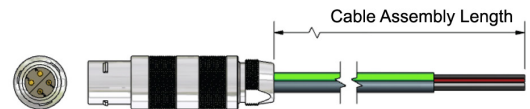
APPLICATIONS

- Capable of measurement and control of nitrocarburizing atmospheres when used in conjunction with H2Smart™ hydrogen analyzer
- Measurement and control of pre- and post-oxidation processes

NitroCarb™ VACUUM-TIGHT OXYGEN SENSOR



! A cable assembly is required for first-time installations. To order, please consult the table below.



ORDER CODE	AA6	-	-
LENGTH			
20" / 50.8 cm	20		
26" / 66.0 cm	26		
32" / 81.3 cm	32		
38" / 96.5 cm	38		
T/C TYPE			
Thermocouple Type K		K	
Thermocouple Type R		R	
Thermocouple Type S		S	
No Thermocouple		X	
CONNECTION FITTINGS			
6 mm Tube, CPI Ferrules			8
1/4" Tube, CPI Ferrules			9

ORDER CODE	CA6	-	-
LENGTH			
1' / 30.5 cm	01		
10' / 304.8 cm	10		
20' / 609.6 cm	20		
50' / 1524.0 cm	50		
T/C TYPE			
Thermocouple Type K		K	
Thermocouple Type R & S		RS	
No Thermocouple		X	

USA +1 414 462 8200 sales.na@group-upc.com	CANADA +1 514 335 7191 sales.na@group-upc.com	CHINA +86 21 3463 0376 sales@mmichina.cn	FRANCE +33 3 81 48 37 37 sales.fr@group-upc.com	GERMANY +49 7161 94888 0 sales.de@group-upc.com	POLAND +48 32 296 66 00 sales.pl@group-upc.com
---	--	---	--	--	---